

General Specifications

Model FH0V
Output Isolator
(Voltage I/O Type)

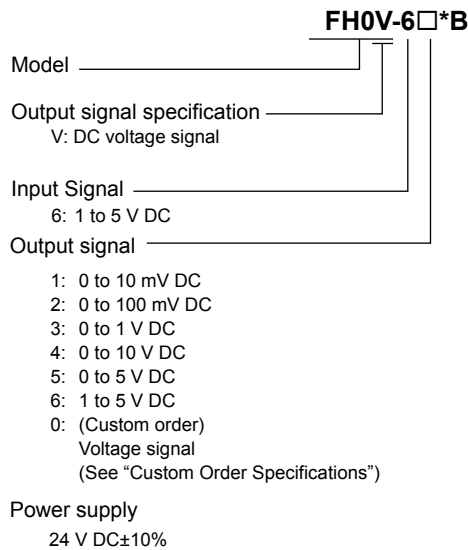
JUXTA

GS 77J08H10-01E

■ General

The FH0V is a compact, front terminal connection type output isolator that receives 1 to 5 V DC signals, and converts them into isolated DC voltage signals.

■ Model and Suffix Codes



■ Ordering Information

Specify the following when ordering.

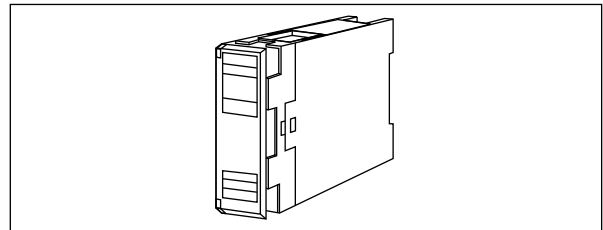
- Model and suffix codes: e.g. FH0V-66*B
Note: It is a custom order if necessary to be mounted into F-RACK (X015).

■ Input/Output Specifications

Input signal: 1 to 5 V DC
Input resistance: 1 MΩ (100 kΩ during power off)
Maximum allowable input: ±30 V DC or less
Output signal: DC voltage signal
Allowable load resistance:

Output range	Allowable load resistance
0 to 10 mV DC	250 kΩ or more
0 to 100 mV DC	250 kΩ or more
0 to 1 V DC	2 kΩ or more
0 to 10 V DC	10 kΩ or more
0 to 5 V DC	2 kΩ or more
1 to 5 V DC	2 kΩ or more

Zero adjustment: -1 to +1%
Span adjustment: 95 to 105%



■ Standard Performance

Accuracy rating:
±0.1% of span
Response speed: 150 ms, 63% response (10 to 90%)
Insulation resistance: 100 MΩ or more at 500 V DC between input and output, output and power supply, and input and power supply.
Withstand voltage: 1500 V AC/min. between (input and power supply) and output.
500 V AC/min. between input and power supply.

■ Environmental Conditions

Operating temperature range: 0 to 50°C
Operating humidity range: 5 to 90% RH (no condensation)
Power supply voltage: 24 V DC±10% (percentage ripple is 5%p-p or less)
Effect of power supply voltage fluctuations: ±0.1% or less for the fluctuation within the operating range of power supply voltage specification
Effect of ambient temperature change: ±0.2% of span or less for a temperature change of 10°C
Current consumption: 24 V DC 50 mA

■ Mounting and Dimensions

Material: ABS resin (Case body)
Mounting method: Rack, Wall or DIN rail mounting
Connection method: M4 screw terminals
External dimensions: 72 × 24 × 127 mm (H × W × D)
Weight: Approx. 130 g

■ Standard Accessories

Tag number label: 1
Mounting block: 2
Mounting screw: M4 screw x 2

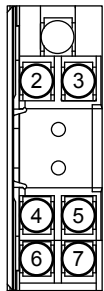
■ Custom Order Specifications

Output range	0 to 10 V DC
Span	10 mV to 10 V DC
Zero elevation	0% only

Mounting into the F-RACK (X015)

Note that the terminal assignments are different from that of standard.(See the table below)

■ Terminal Assignments

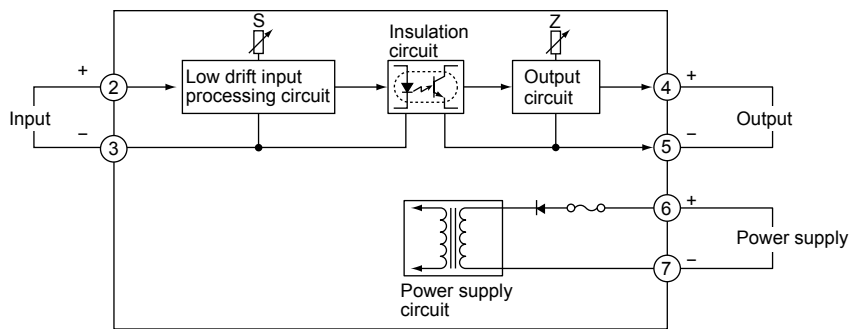


2	Input	(+)
3	Input	(-)
4	Output	(+)
5	Output	(-)
6	Supply	(+)
7	Supply	(-)

F-RACK(X015) mounting type (Custom order)

2	Output	(+)
3	Output	(-)
4	Input	(+)
5	Input	(-)
6	Supply	(+)
7	Supply	(-)

■ Block Diagram



■ External Dimensions

